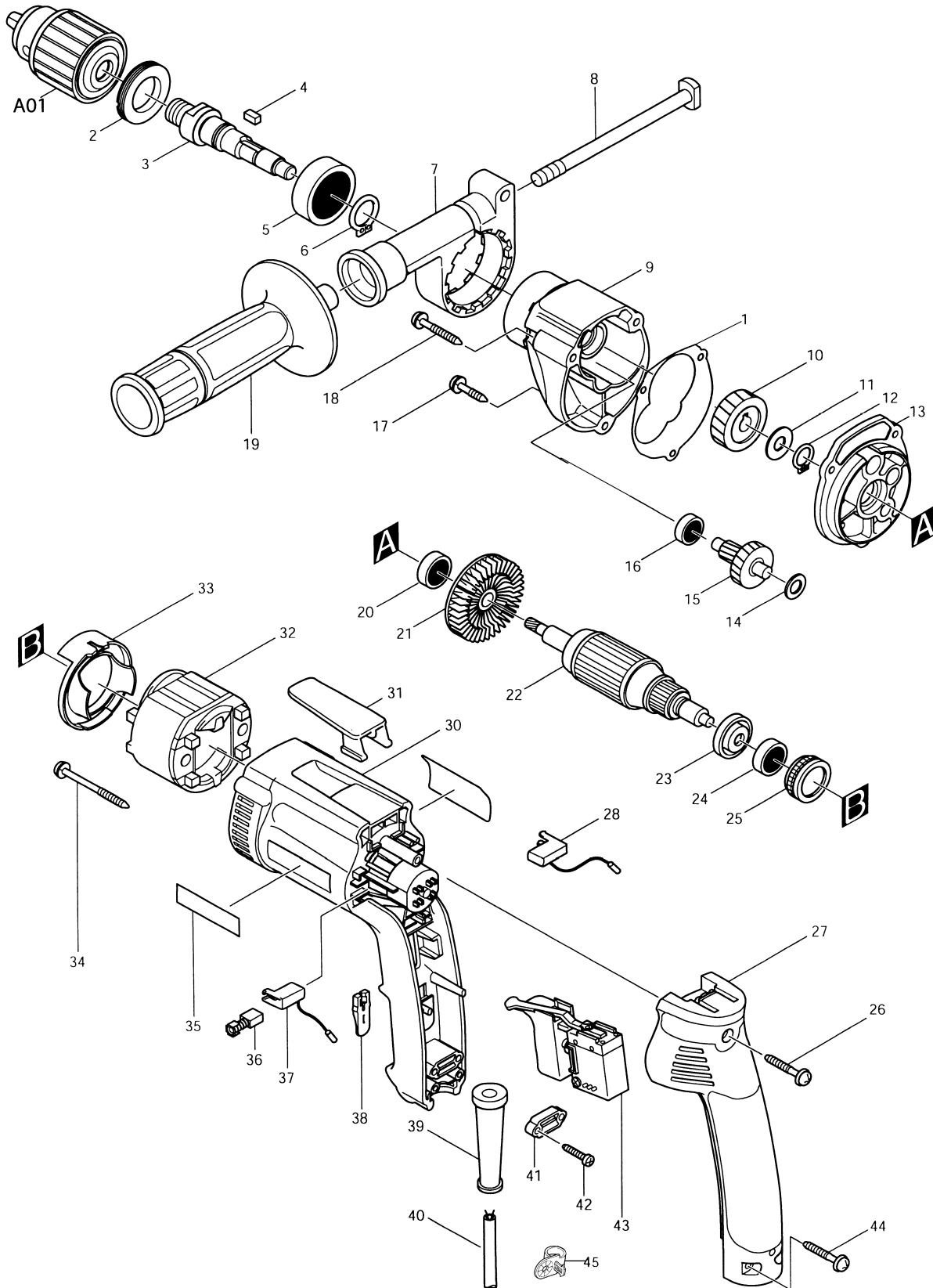
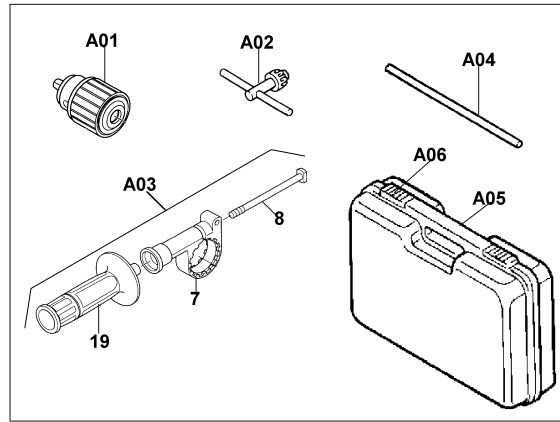
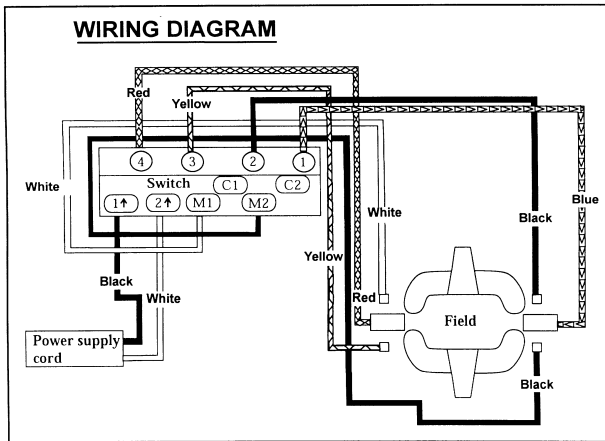




3/8" DRILL, 0-1,200 RPM
3/8" KEYLESS DRILL, 0-1,200RPM

Model DP3002(MJ)
Model DP3003(MJ)





Item No.	Part No.	No. Used	Description
1	442135-5	1	Gasket (Added)
2	285807-7	1	Bearing Retainer 22-36
3	324040-7	1	Spindle
4	254202-2	1	Key 4
5	211206-7	1	Ball Bearing 6202LLB
6	961055-9	1	Retaining Ring S-15
7	317401-8	1	Grip Base
8	266261-4	1	Bolt M8X130
9	317398-1	1	Gear Housing
10	226530-5	1	Helical Gear 32
11	253180-3	1	Flat Washer 10
12	961006-2	1	Retaining Ring S-10
13	152640-1	1	Gear Housing Cover Com. (Includes 212004-2 - Needle Bearing 810 & 212016-5 - Needle Bearing 609)
14	267217-0	1	Flat Washer 6
15	226140-8	1	Gear Com. 7-34
16	211016-2	1	Ball Bearing 626LLB
17	266050-7	1	Tapping Screw 4X30
18	266069-6	2	Tapping Screw 4X45
19	152521-9	1	Grip 36 Com.
20	211031-6	1	Ball Bearing 608LLB
21	241873-4	1	Fan 55
22	517361-6	1	Armature Assy (Includes Items 20,21,23 & 24)
23	681636-0	1	Insulation Washer
24	211021-9	1	Ball Bearing 607LLB
25	421479-6	1	Rubber Ring 19
26	265999-8	1	Tapping Screw 4X25
27	152641-9	1	Handle Cover Com. (Includes 2X263002-9 - Rubber Pin 4)

Item No.	Part No.	No. Used	Description
28	643953-6	1	Brush Holder
30	183270-7	1	Motor Housing Set (Includes Item 35)
31	417625-7	1	Hook (Old 416996-9)
32	633471-2	1	Field
33	417357-6	1	Baffle Plate
34	266052-3	2	Tapping Screw 4X60
35	819063-3	1	Makita Label
36	191927-6	2	Carbon Brush CB-407 (2pcs/Set)
37	643952-8	1	Brush Holder
38	417358-4	1	Slide Lever
39	682559-5	1	Cord Guard 8
40	664013-1	1	Cord With Plug 2P-18-2.5M
41	687063-9	1	Strain Relief
42	265995-6	2	Tapping Screw 4X18
43	651991-4	1	Switch
44	265999-8	2	Tapping Screw 4X25
45	410102-8	1	Key Holder (DP3002)

Accessories

A01	193225-4	1	3/8" Drill Chuck Set (DP3002)
	193227-0	1	3/8" Keyless Drill Chuck Set (DP3003)
A02	763434-5	1	Chuck Key 10
A03	134903-7	1	Grip 36 Assy (Includes Items 7,8 & 19)
A04	321059-7	1	Depth Gauge
A05	824595-7	1	Plastic Carrying Case (Includes Item A06)
A06	417059-4	2	Latch